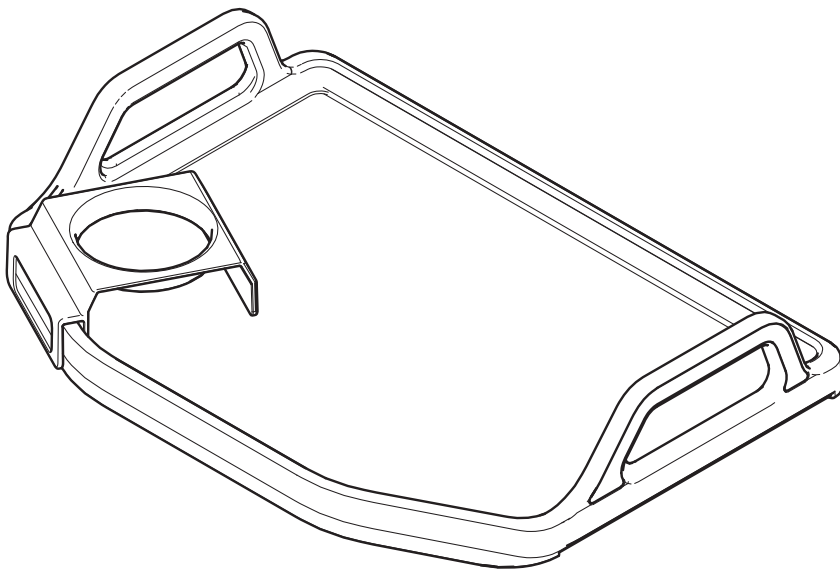


ASSEMBLY INSTRUCTION

Tray with cup holder



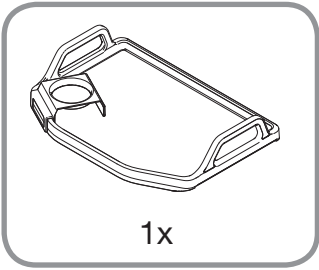
Description

Tray, Gemino all models

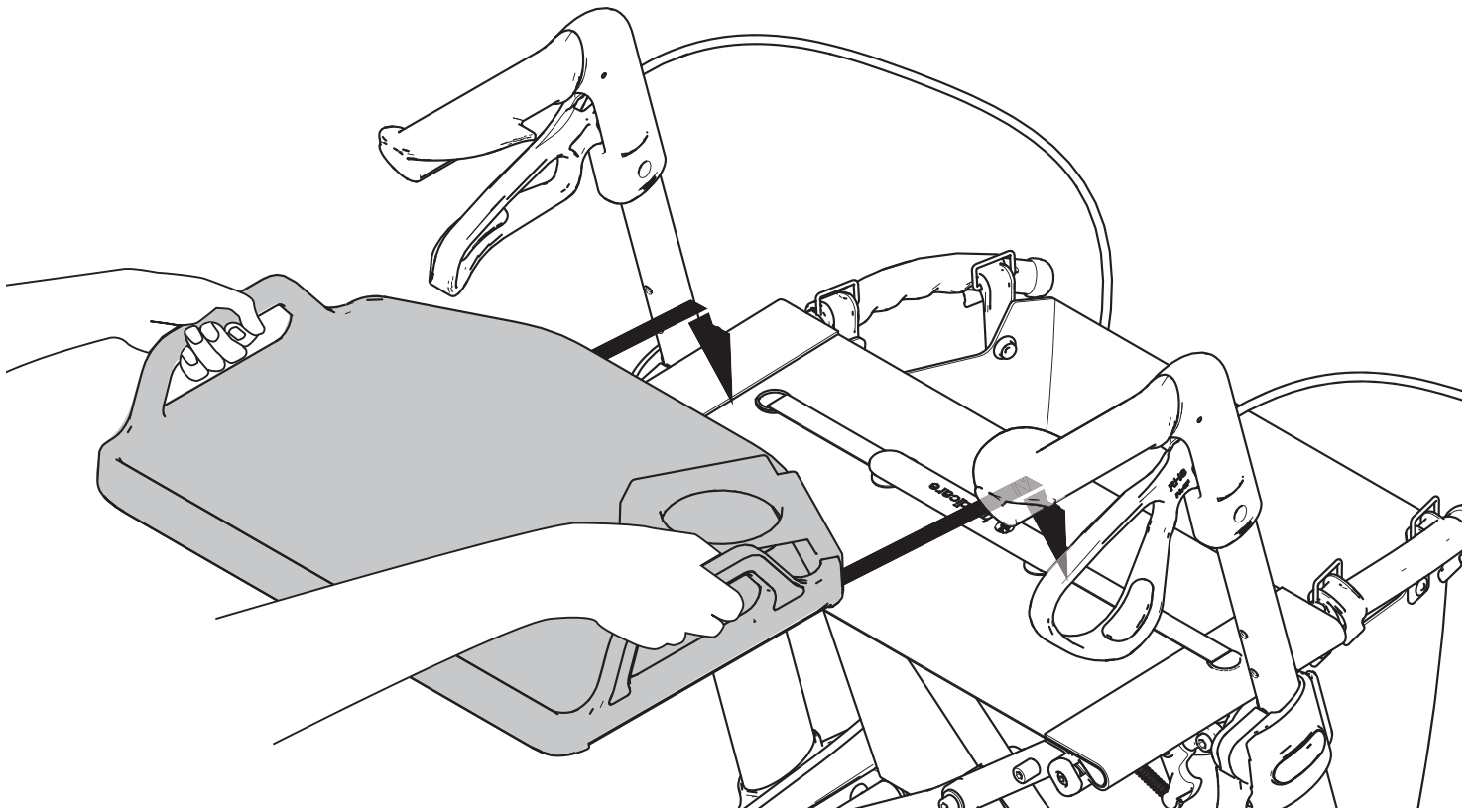
Article number

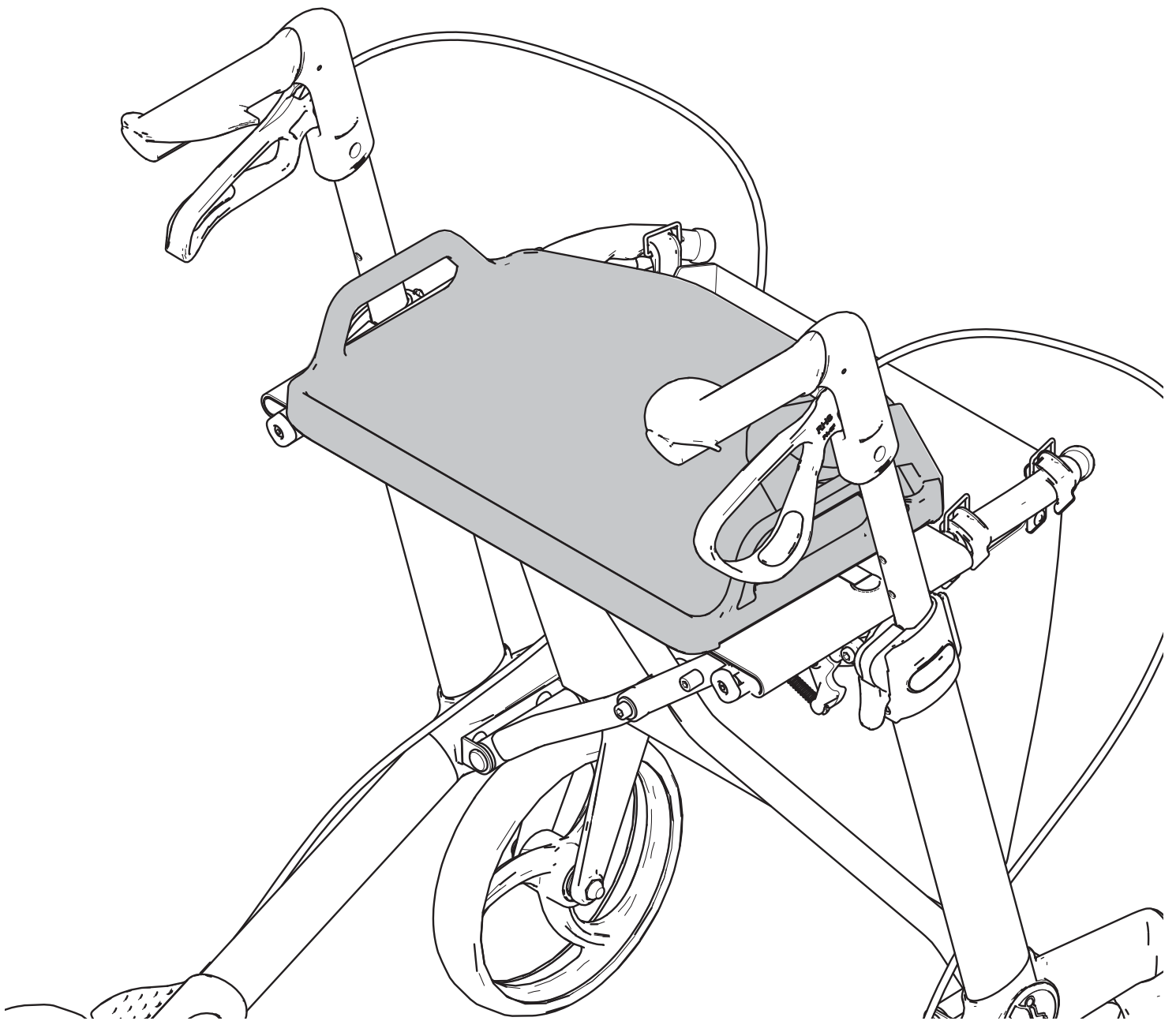
7109140

GEMINO

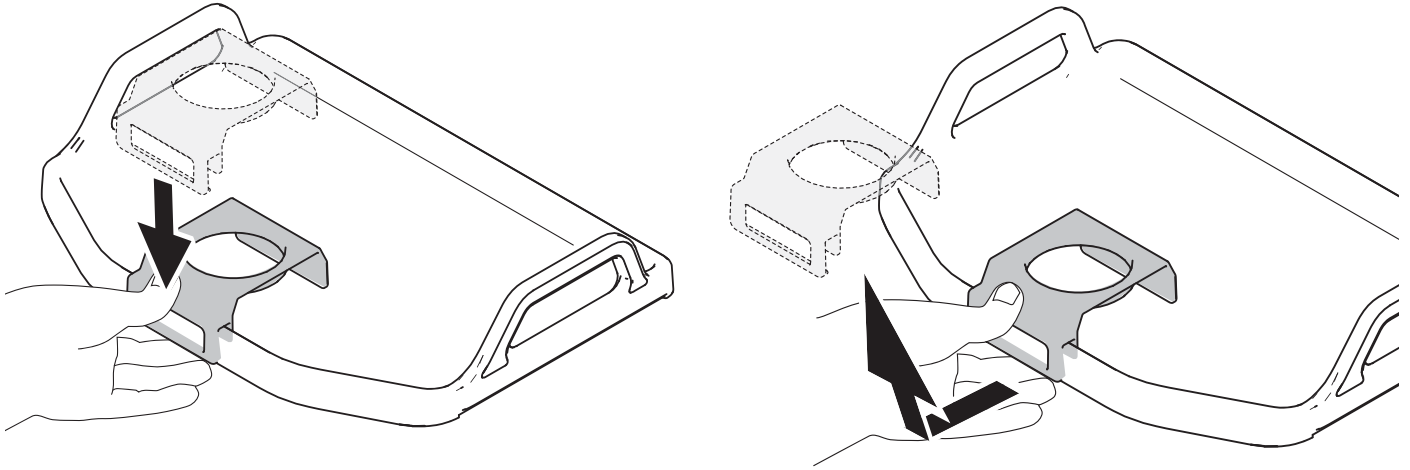


1

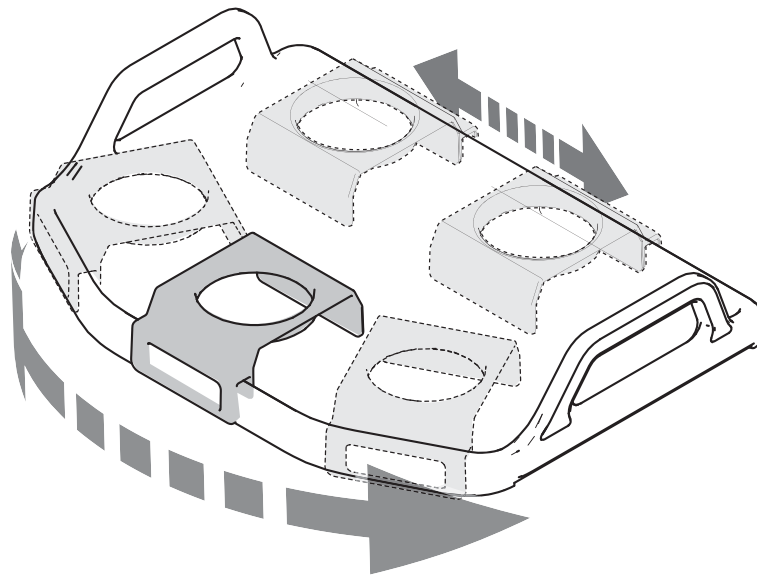




2



3



Sunrise Medical HCM B.V.
Vossenbeemd 104
5705 CL Helmond
The Netherlands

T: +31 (0)492 593 888
customerservice@sunrisemedical.nl
www.SunriseMedical.eu