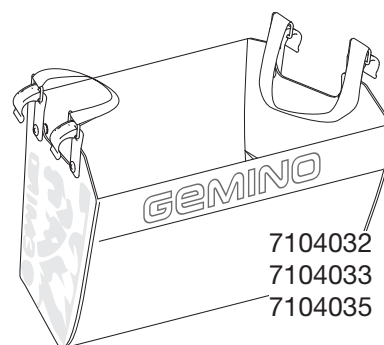
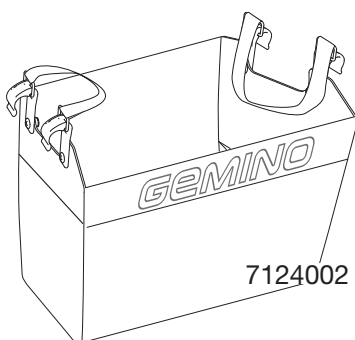
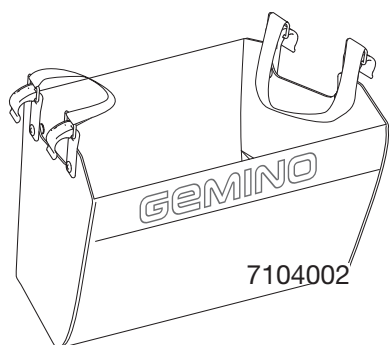
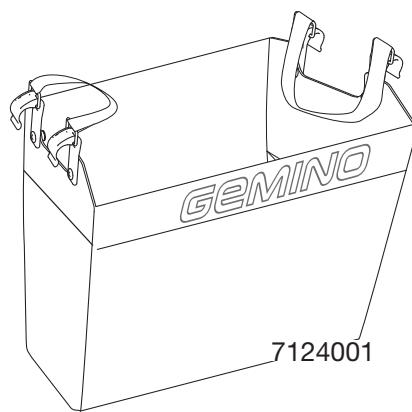
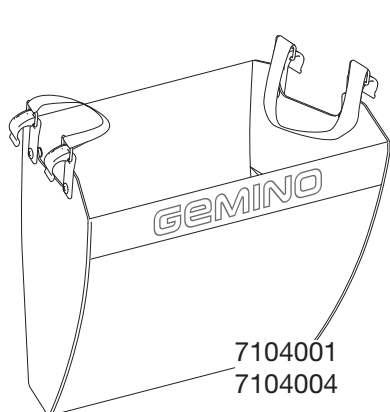


# ASSEMBLY INSTRUCTION

## Basket

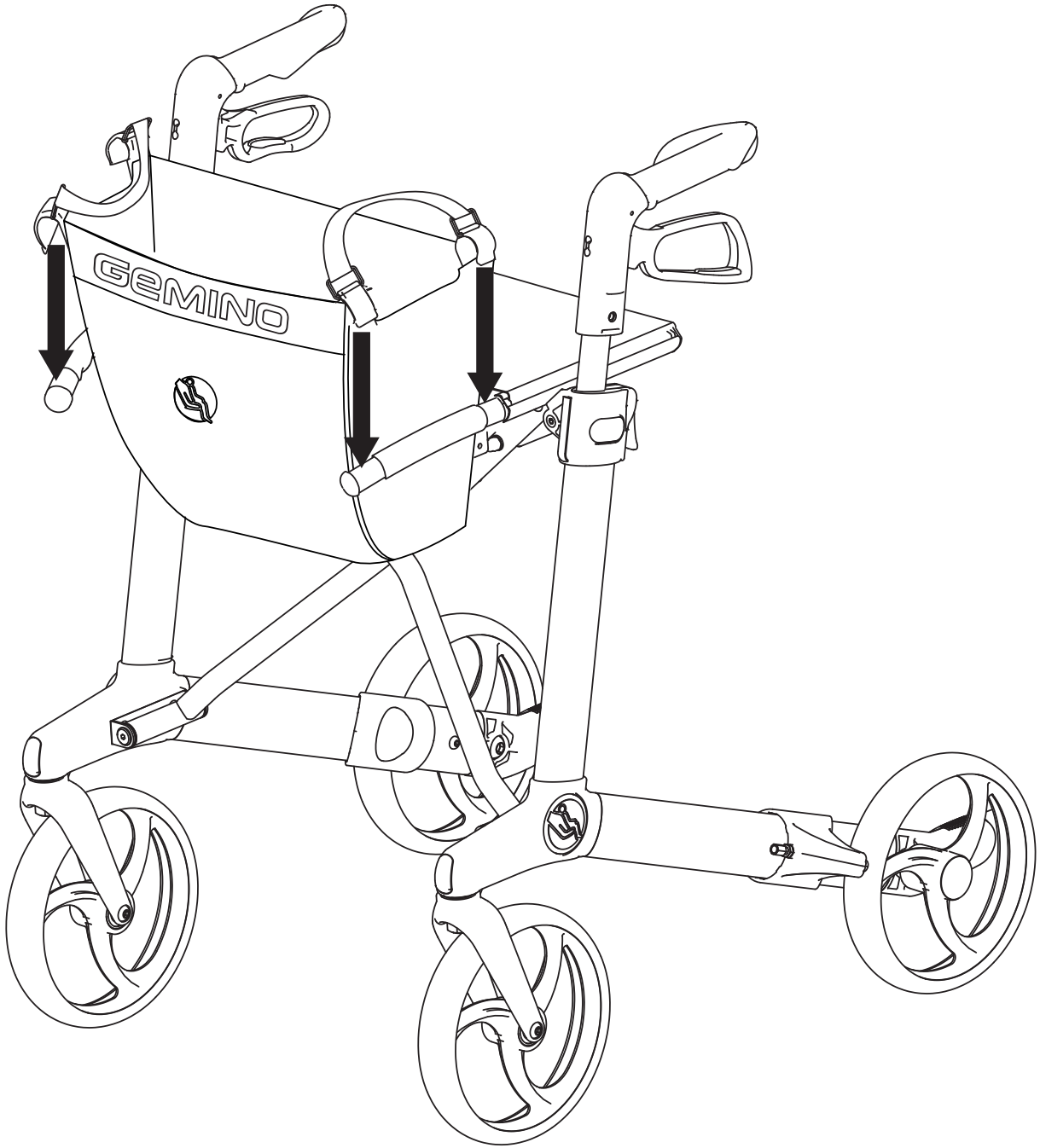


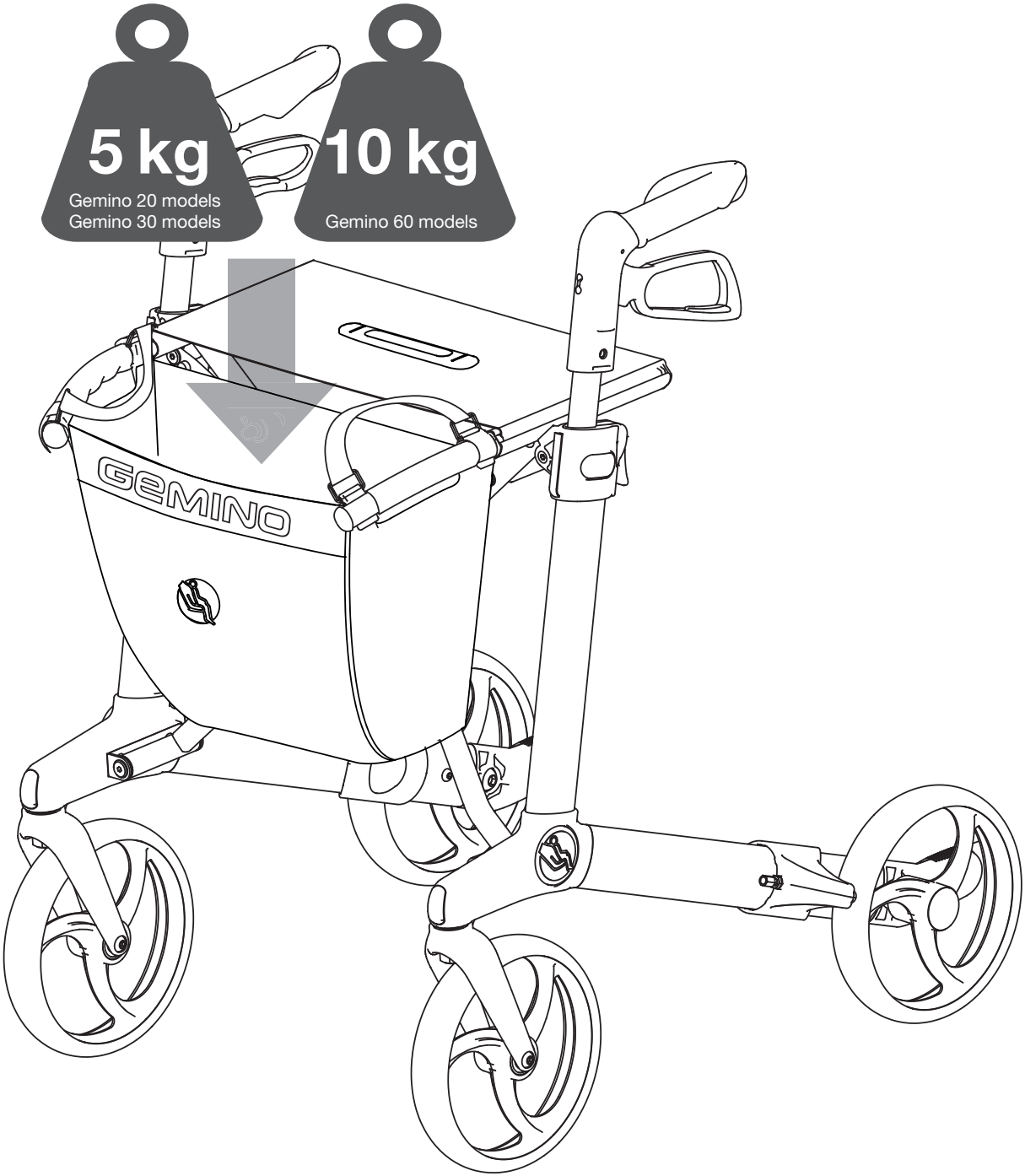
### Description

### Article number

Basket, standard, black, Gemino 30/ 30M models, Gemino 20/20M, Gemino 60 models	<input type="checkbox"/>	7104001
Basket, standard, black, Gemino 60M models	<input type="checkbox"/>	7104004
Basket, standard, black, Gemino 30S models, Gemino 20S	<input type="checkbox"/>	7104002
Basket, standard, black, Gemino 20/20M	<input type="checkbox"/>	7124001
Basket, standard, black, Gemino 20S	<input type="checkbox"/>	7124002
Basket, blue/black, Gemino 30S models, Gemino 20 S	<input type="checkbox"/>	7104032
Basket, pink/black, Gemino 30S models, Gemino 20 S	<input type="checkbox"/>	7104033
Basket, grey/black, Gemino 30S models, Gemino 20 S	<input type="checkbox"/>	7104035

# GEMINO







Sunrise Medical HCM B.V.  
Vossenbeemd 104  
5705 CL Helmond  
The Netherlands

T: +31 (0)492 593 888  
[customerservice@sunrisemedical.nl](mailto:customerservice@sunrisemedical.nl)  
[www.SunriseMedical.eu](http://www.SunriseMedical.eu)